

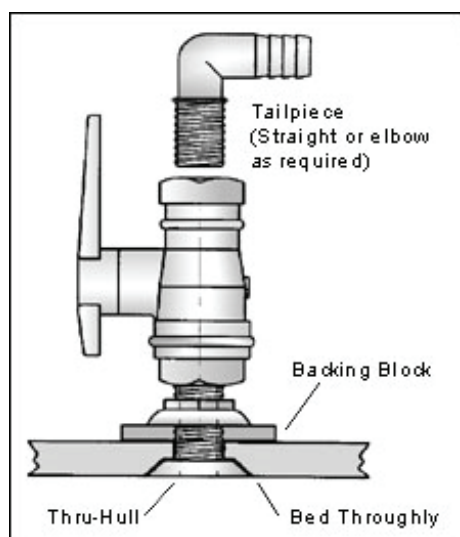
## **BALL VALVES MF 850**

**Forespa<sup>®</sup> MF 850** series of Ball Valves are precision molded in high strength **Marelon<sup>®</sup>**. Their great strength, light weight, and complete freedom from corrosion and electrolysis make them the ideal valve for controlling inlet and outlet water requirements above and below the waterline.

Our engineers opened and closed one of our 3/4" (19.05mm) valves 11,000 times, then submerged it in water with an air line pressurized to 40 p.s.i. connected to it. The result was an absolutely leak free condition with no evidence of wear on internal seals.

All valves sold throughout the U.S.A. have N.P.T. type threads. If specified, B.S.P. are available on valves sold outside of America.

The temperature range of **Marelon<sup>®</sup>** is -40° F to +176° (-40°c to +80°c)



### **VALVE MAINTENANCE:**

All our valves are non-corrosive, but like any moving part in a marine environment, they required regular inspection and lubrication. Do not fail to actuate the handle and lubricate the seals on a regular schedule (water pump grease or even mineral oil will lubricate seals).

### **LIMITED WARRANTY**

**Forespar<sup>®</sup>** accepts no responsibility for valve or thru-hull components which are improperly installed, tampered with or have inadequate access for service and maintenance.